

PLEASE READ CAREFULLY BEFORE USING



3001W MAX

AURA®

VENOM-1 2.D2

12" (30.5cm) SUBWOOFER SPEAKER

USER MANUAL



[www.aurael.ru](http://www.aurael.ru)



Due to continuous development and improvement of the product, all technical specifications, as well as appearance, are subject to change without prior notice.

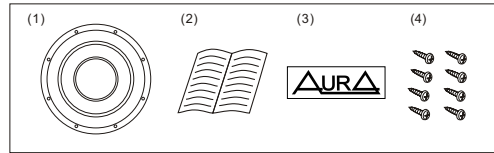
© AURA Electronics Inc. All rights reserved.

Thank you for choosing the AurA subwoofer speaker!  
 We are confident that you will receive the expected level of quality and technical characteristics!  
 Please read these instructions carefully before installing the speaker!

**Package bundle**

Check the subwoofer package and make sure that the package contains:

1. Subwoofer
2. Instructions, warranty card
3. Car sticker
4. Fasteners



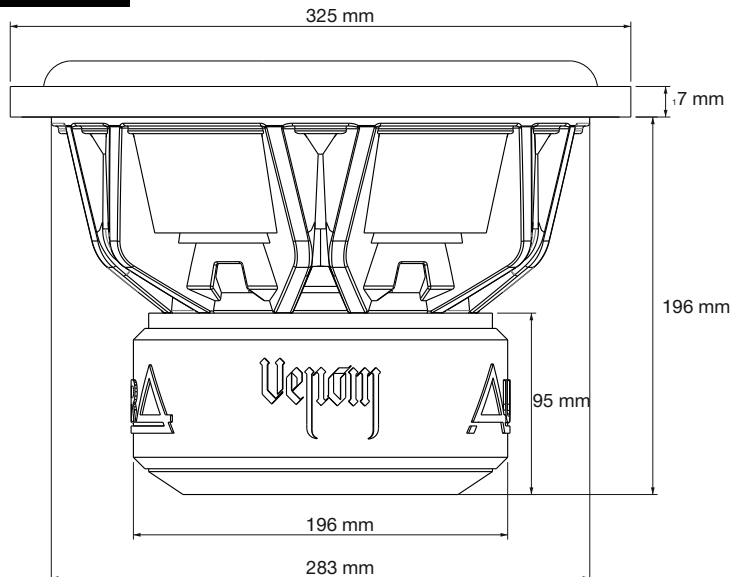
⚠ Device contents are subject to change without further notice.

**Precautions:**

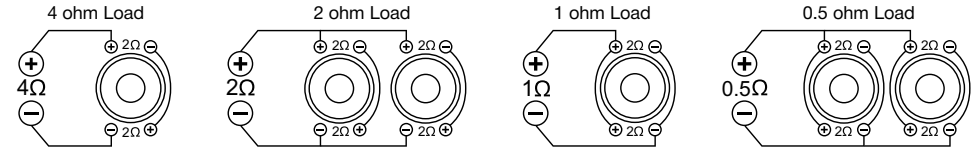
This user manual contains important safety precautions and information about the correct use of the device. Please carefully follow all instructions provided in this manual.

1. When installing the device, avoid places with high temperature, humidity, or places with a lot of dust.
2. Make sure that the device and, in particular, its installation accessories are out of the reach of children.
3. Do not drop the device or subject it to shock as this may cause damage.
4. Do not disassemble the device by yourself. This may void your warranty.
5. Do not use alcohol, thinners or benzene to clean parts of the device. For cleaning, use only a dry, soft cloth.

**Mounting dimensions:**



**Connection options:**



**Specifications:**

Diameter:	12" (30.5 cm)
RMS/MAX Power:	1501 / 3001 W
Frequency range:	30-400 Hz
Sensitivity:	85.2 dB
Resistance:	2x2 ohm
Voice coil diameter:	3" (76 mm)
Magnetic system weight:	219 Oz (6.2 kg)
Resonant Frequency (Fo):	43 Hz
Mechanical quality factor (Qms):	2.28
Electrical quality factor (Qes):	0.45
Total quality factor (Qts):	0.41
Equivalent volume (Vas):	12.83
Movable system mass (Mms):	310 g
Strength factor (BL):	24.38
Coil resistance, Ohm (Re):	1.9 + 1.9
Effective diffuser area (Sd):	729 cm <sup>2</sup>
Suspension flexibility, mkm/H (Cms):	45.64
Reference Efficiency (No):	0.188%
Xmax:	40 mm

WEEE Directive 2012/19/EU on waste electrical and electronic equipment

Old electrical equipment should not be disposed of with other household waste. Please recycle it. Please contact your local authorities for the required information.